

# Install Guide



**cliqstudios.com**<sup>®</sup>

The smarter way to your designer kitchen<sup>™</sup>



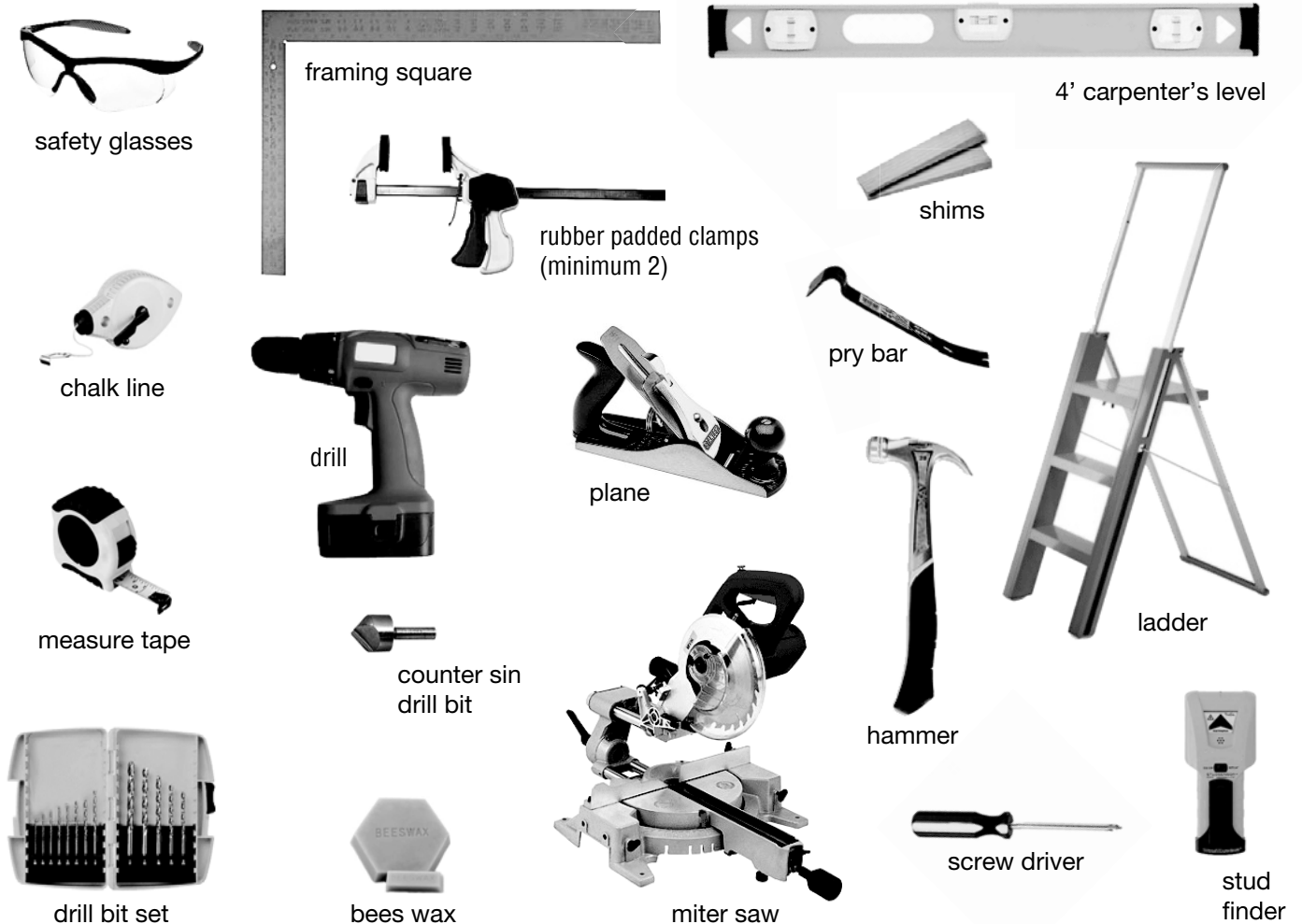
view our Install  
video guide online

CliqStudios.com<sup>®</sup> LLC reserves the right to change, modify or discontinue policy, services and products at any time. All dimensions are nominal. Document only provided for reference and CliqStudios.com is not responsible for final installation.

CliqStudios.com Cabinetry provides these instructions on an “as is” basis and disclaims any liability for any inaccuracies, omissions or typographical errors caused by any third party and their equipment. These instructions provide an illustrative method for installing kitchen cabinets in general. These instructions will not cover every contingency that may be encountered during installation. CliqStudios expressly disclaims all liability for any claims for damage, injury or death related to or based on the use of this installation guide. Installing kitchen cabinets is a precise and complex operation and it is recommended that you consult and or hire an expert before beginning your install.

**before you begin** CliqStudios.com Cabinetry provides these instructions on an “as is” basis and disclaims any liability for any inaccuracies, omissions or typographical errors caused by any third party and their equipment. These instructions provide an illustrative method for installing kitchen cabinets in general. These instructions will not cover every contingency that may be encountered during installation. CliqStudios expressly disclaims all liability for any claims for damage, injury or death related to or based on the use of this installation guide. Installing kitchen cabinets is a precise and complex operation and it is recommended that you consult and or hire an expert before beginning your install.

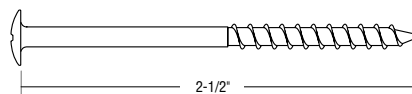
## REQUIRED TOOLS



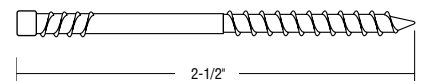
## REQUIRED SCREWS (not provided)

### ⚠ WARNING

Do not use flat head sheetrock screws. Please consult local retailer with any questions.



#8 Panhead Cabinet Screw  
(used to affix cabinets to wall)



#8 Trim Head Screw  
(used to affix cabinets to each other)

*Use bees wax (or parafin) to apply to screws to prevent wood and frame cracking.*

## REQUIRED TOOLS

Make sure your water supply and gas have been disconnected. **WARNING:** Natural gas and propane are highly explosive. Please consult a qualified contractor or your service company for proper disconnection. Shut off power to all electrical within kitchen. Remove appliances and store in safe area to prevent damage. Installation should not begin until all appliances have been selected and are on sight for actual dimensions when compared to design and floor plan.

## DEMOLITION & WALL PREPARATION

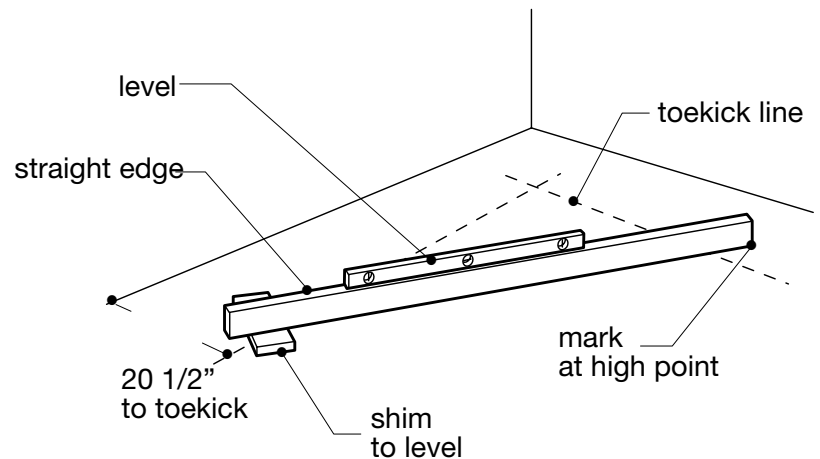
For safety sake, proper cabinet operation and overall appearance it is essential for cabinets to be mounted level, plumb and square in relationship to floor and walls. If there is unevenness your cabinets must be shimmed and adjusted for proper function. Remove any moldings or trim that may interfere with cabinet installation. Perform any reconstruction and finishing before installation. Be sure to check window and doorway moldings for final placement.

## STUD LOCATION & MEASUREMENTS

**STUD LOCATION** Locate the studs with a stud finder and mark their locations. For secure, safe, and long lasting installation cabinets must be screwed into wall studs - not nailed. Studs normally are 16" apart on center. However, this measurement can vary greatly between old and new construction.

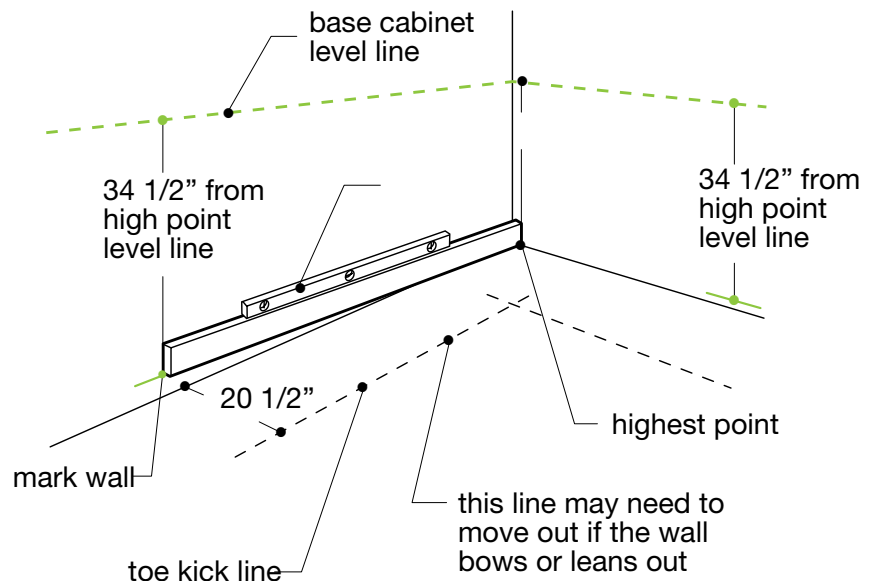
### MEASUREMENT

Determine your starting point by finding the highest point in your floor (in comparison to ceiling) - measure out from this point 20 1/2" from the wall where the toekick part of the cabinets will be and snap a chalk line. This will be your main reference point. Your cabinets may have to be shimmed up on either side. **WARNING:** Make sure you have accounted for new flooring height and any ceiling repair or replacement. This will affect final placement of cabinets. It is recommended that flooring be in place and covered and protected during installation.



### BASE CABINET LEVEL LINE

Once you have confirmed the highest point on the floor place measure up 34 1/2" from the level marks of the high point. This is the base cabinet level line (without countertop). Mark this line across all walls that will receive cabinets.



### UNEVEN WALLS

Make sure to check for uneven walls, high spots and low spots where cabinets will be placed. Toekick line may vary. Place a straight 2 x 4 against wall to find the high and low spots.

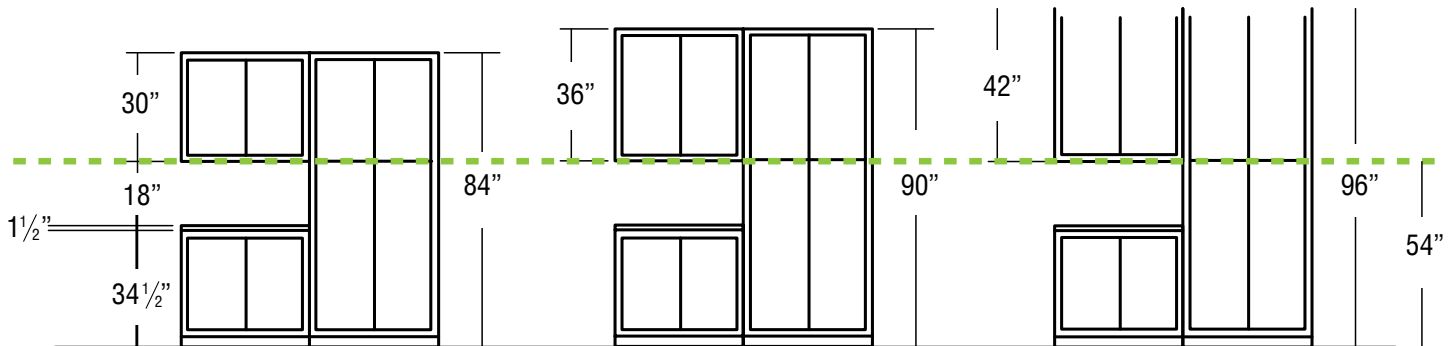
### SQUARE CORNERS

Check corners for "square". Place a framing square into the corner where cabinets are to be installed. If corner is out of square, or in square, you will have to adjust the toekick line on the floor to account for the walls not being square. This "new" line should be applied to floor and shims will be required to ensure that cabinets will be straight.

## PLACING CABINETS

**NOTE:** Make sure you have previously inspected all cabinets and parts. Report any errors or damage to CliqStudios. Unbox only the cartons you will need. Leave other cabinets cartoned, out of your way, to avoid any damage.

If wall cabinets are to be installed under soffits or ceilings lower than 8' you must first determine the lowest point under the soffit or ceiling. Measure up from your base cabinet line in several areas to locate the lowest point. Mark this and snap a chalk line for wall cabinets to follow. **WARNING:** The distance between the top of the counter (36" from highest point on floor) and bottom of standard cabinets should not be less than 15-18". Confirm the placement of your wall standard height cabinets (see chart below) and mark wall cabinet line.



With the studs marked and located you can now begin to mount wall cabinets. **WARNING:** Do not use nails to mount cabinets. Use the recommended screws. Using nails or drywall screws will void warranty. You may choose to mount wall or base cabinets first. The advantage to mounting wall cabinets first is you do not have to reach over base cabinets to install wall/upper cabinets.

**WARNING: REMOVE DOORS, DRAWER & SHELVES**

The cabinets will be lighter, prevent damage and allow for clamps to be used.

**WARNING: MINIMUM WALL CABINET ATTACHMENT REQUIREMENTS:**

If a cabinet is not supported and/or attached to cabinets on both sides, the face frame must be screwed into the soffit joists or ceiling joist, as well as being secured to the wall stud(s).

Cabinets up to 18" wide should have screws into top and bottom of back panel, one wall stud, and face frame to one adjacent cabinet. Cabinets from 21" to 36" wide should have screws into top and bottom of back panel, two wall studs and one adjacent face frame. Confirm cabinet wall line and confirm cabinet numbers and placement with design plan.

## CABINET INSTALLATION SUPPORT BRACING

Well made braces make installation easier and more accurate. Install a 1" x 2" ledger board on the wall cabinet bottom line. Fasten into studs with 2 1/2" screws. This will provide you with a very stable support method but will require some minor touch up from screw holes. **NOTE:** Do not completely tighten screws until after wall cabinets have been installed and final leveling and "shim" adjustments have been made. See Securing Wall cabinet page for illustration.

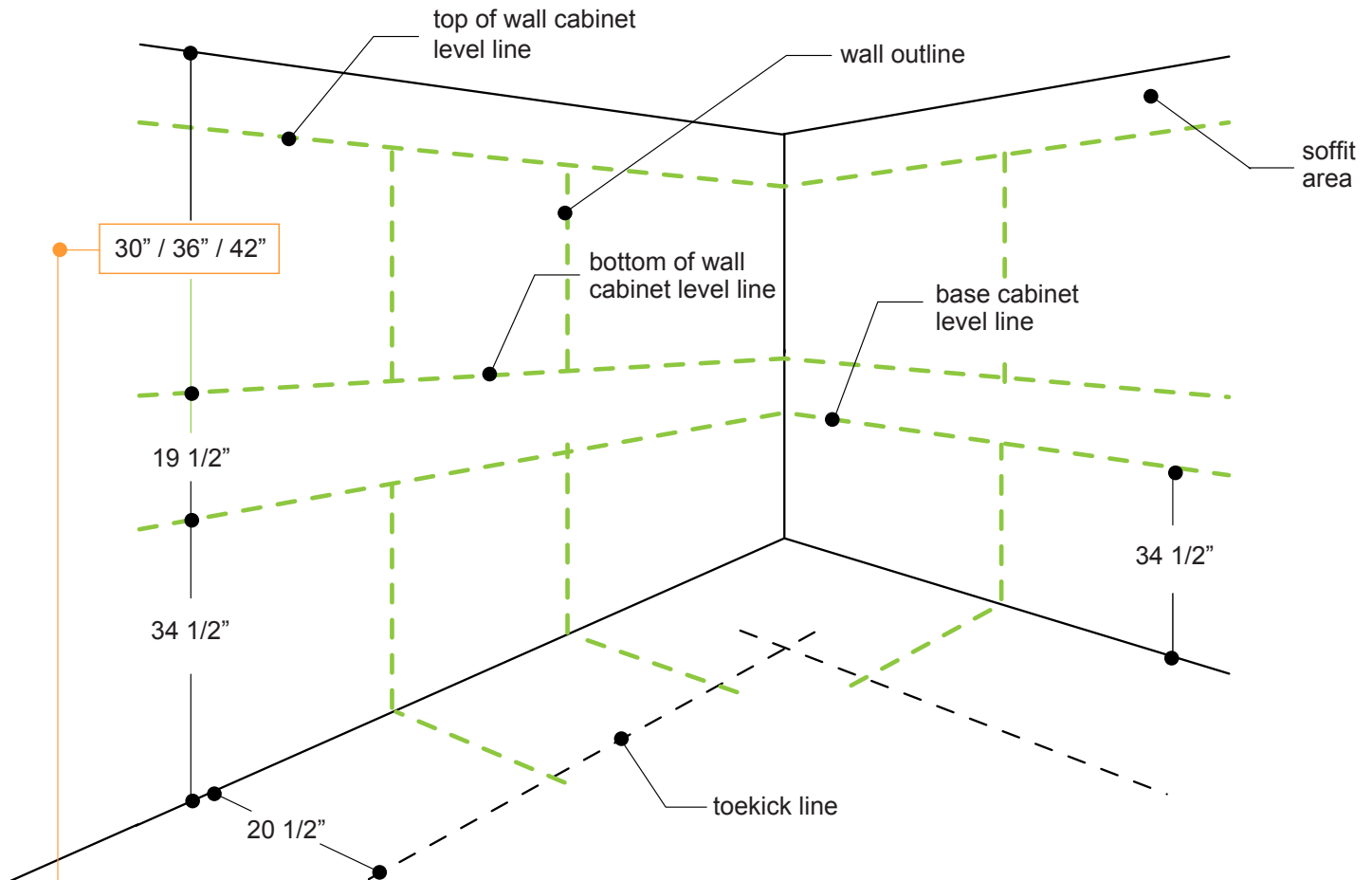
## CEILING INSTALLATION

For secure support and safe installation, you must attach ceiling hung cabinets to ceiling joists with screws. Locate ceiling joists above wall cabinets with a stud finder. Secure cabinets to ceiling using same manner as to walls with the same screws.

**WARNING:** Bridge wall cabinets (24" deep wall cabinets and peninsula wall cabinets) must be secured to the ceiling. 24" deep wall cabinets may not require ceiling attachment if there are 3 points to secure to: the back wall, side wall, and an adjacent cabinet all must be secured to. If this is not possible a 'prop' leg must be used. A refrigerator return can be used in place of a side wall. If 24" deep wall cabinets have been installed without using 3 secure points your warranty will be void. It is recommend that wall peninsula cabinets require additional build up (between cabinet top and ceiling surface) and heavy screws such as lag bolts to secure to ceiling joist.

## MAPPING OUT YOUR DESIGN

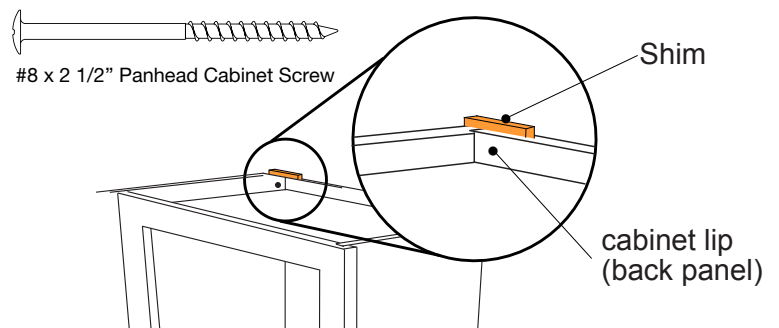
Referencing your cabinet design plan, draw an outline representing all your cabinets. Having determined the base cabinet line by finding the high point of the floor you now need to determine where the wall cabinet line will be placed. Mark the width of each cabinet to ensure accuracy and correct cabinet placement. This will help ensure that you will not be meeting any obstacles such as windows, doorways, electrical outlets, air ducts, and chimney chases.



Standard homes have 96" ceiling. If using 30" wall cabinets this will create a 12" soffit area, 36" cabinets will have a 6" soffit area, and 42" cabinets will go to the ceiling. Make sure to allow room for molding when using 42" high cabinets.

## SECURING WALL CABINETS

Place top of the cabinet at line on wall and mark the back/top of each cabinet to match location of wall studs. This can be inside of the cabinet or on the back panel "lip" located on the top or the bottom of the cabinet that can help conceal screws. The entire back panel area can be used to secure cabinet to the wall - CliqStudios does not use a hang rail system. Wall cabinets are symmetrical and do not have a top or a bottom. All cabinets are drilled for hinges on both sides of the face frame for left or right hinge placement. Using a 3/32" bit, drill through the holes in cabinet back panel, going into studs at least 1". Fasten cabinet using #8 - 2 1/2" pan head trim screws. Fasten cabinet at top and bottom.



SECURE TO WALL SCREWING THROUGH THE SHIM

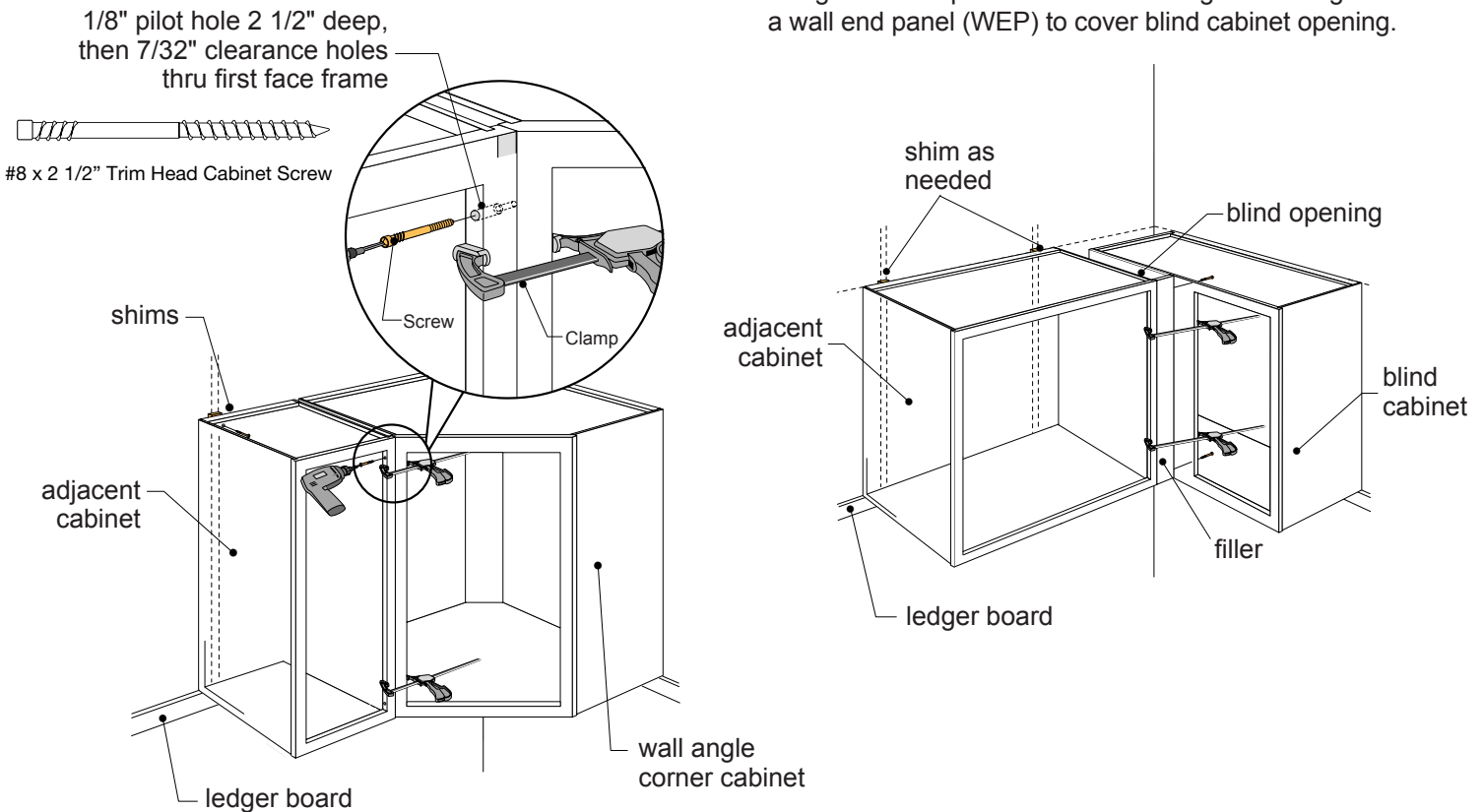
## WALL, WALL ANGLE CORNER & BLIND WALL CABINETS

### WARNING: ALWAYS START BY INSTALLING THE CORNER CABINET FIRST

Standard 12" deep wall cabinets are installed very similar to the examples below. Cabinets should be dry fitted, shimmed, clamped and then predrilled before securing cabinets to the wall and adjacent cabinets.

**Wall Angle Corner** cabinets require 24" of space from the corner on each wall. Be sure cabinet is plumb on both sides and front, and is level vertically and horizontally. This cabinet is the keystone to the entire installation. Check with carpenter's level.

**Blind Corner Wall** cabinets can be pulled away from side wall a set amount of inches - please consult design plan and confirm with your designer before placement. Hang cabinet with normal procedure and always use a 3" filler strip to allow for hinge clearance as illustrated. Attach filler strip to cabinet using the same procedure as attaching frames together. Use a wall end panel (WEP) to cover blind cabinet opening.



## SECURING FACE FRAMES

The illustrations above show how face frames should be secured to each other with #8 - 2 1/2" trim head trim screw. Securing face frames together at the front is essential to eliminate gaps and provide increased strength. Keep clamps applied while drilling and fastening frames together. Use a 3/32" bit, drill a hole through the cabinet's vertical frame and then drill a 3/32 pilot hole 1" deep into adjoining face frame. Apply Bees Wax to the screws for easier installation and this can help prevent splitting of the face frames. Counter sink screw heads. For a cleaner looking job you may be able to conceal screws behind the hinge plate. Be careful not to interfere with hinge screw and alignment.

## BASE CABINET INSTALLATION

With the studs marked and located you can now begin to mount base cabinets. Use the recommended screws. Using nails or drywall screws will void warranty. **WARNING: DO NOT USE NAILS TO MOUNT CABINETS.**

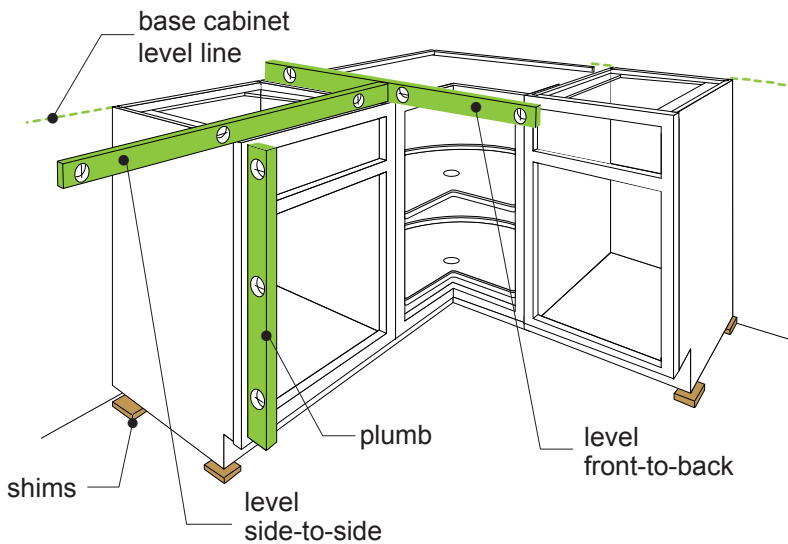
### WARNING: REMOVE DOORS, DRAWER & SHELVES

The cabinets will be lighter, prevent damage and allow for clamps to be used.

Confirm cabinet wall line and confirm cabinet numbers and placement with design plan. make sure to “dry fit” cabinets. Like the wall cabinets start in the corner. Carefully slide the cabinets into position - DO NOT attach or shim at this time. This will help visualize your layout and reconfirm that you have the correct cabinets. Make not of any cabinet above base cabinet level line. If there are any cabinets above the high point then the high point is not correct. Find the correct high point and redraw the base cabinet level line.

### WARNING: START BY INSTALLING A CORNER CABINET FIRST

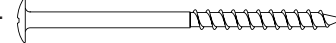
Consult the wall corner cabinet section and apply similar install techniques. Ensure that entire cabinet is plumb, level, and straight, This is the keystone cabinet to the installation



**WARNING:** Do not secure base cabinets to wall until all cabinets are attached to at the front face frame.

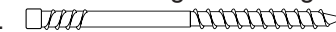
The remaining base cabinets are installed in the same manner - using clamps, aligning frames, pre-drilling and securing with screws.

Start in the corner, locate wall studs and drill 3/32” holes through the top of the back panel. Then using 3/32” bit drill through the holes in cabinet back panel about 1 1/2” into wall stud and secure with #8 x 2 1/2” panhead screws.



#8 x 2 1/2” Panhead Cabinet Screw

Keep checking for plumb and level for each cabinet. Shims will be required to keep back panel from bowing. Secure face frames together using #8 x 2 1/2” trim head screws.

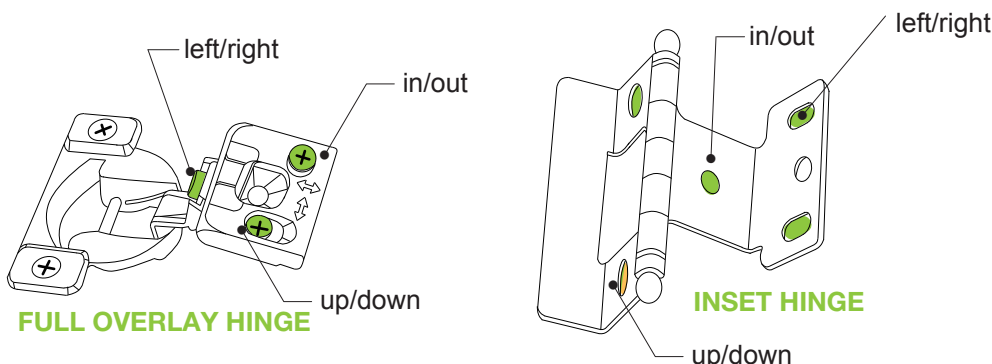


#8 x 2 1/2” Trim Head Cabinet Screw

## BASE CABINET INSTALLATION

The hinges can be easily adjusted up/down, left/right and in/out by simply adjusting the cam screws in the hinge. If there is need for further up/down alignment the main anchor screw(s) can also be moved up and down (drilling of pilot holes will apply). Hinges are adjustable up to 1/8” in both directions. Inset hinges are adjustable to 1/16” in both directions. Drawer fronts can be easily adjusted up to 1/8” in any direction simply by loosening the flat head screws located on the inside (front) of the drawer box.

### WARNING: DOORS AND DRAWER FRONTS SHOULD BE ADJUSTED BEFORE HARDWARE IS APPLIED.



Download the Product Care Guide for complete instructions for all drawer, glide and hinge adjustments